



MORTUARY EQUIPMENT

MINUS40

MTC20 TROLLEY

MTC20 Transport Trolley With Cover



Minus40's MTC20 Static Transport Trolley with extra length has been designed for robust and hygienic duty and conforms to IUSS standards (Infrastructure Unit Support Systems for SA Public Health infrastructure).

This body trolley is finished in 304 Stainless Steel for easier cleaning and higher levels of hygiene and can accommodate a body tray with a centre pitch of rails from 520 to 540mm.

The MTC20 Static Trolley has been designed with extra length to accommodate the canvas cover and associated frame which is used to discretely move bodies.

This trolley comes fitted with 4 x 125mm diameter, non-marking castors of which two swivel and are fitted with locking brakes, while the other two are fixed, non-braked castors.

The mortuary trolley comes standard with a laminated PVC cover and a Minus40 Medical 550mm Body Tray.



Specifications

Model Name	MTC20 Trolley Static Transport Trolley
Trolley Type	Static Body Trolley
Load Capacity (Kg)	250Kg
External Dimensions (H x W x D) mm	950 x 750 x 2280
Weight (Kg)	90Kg

Features

- ✓ 250Kg Load Capacity
- ✓ 550mm Medical Body Tray Included
- ✓ Made From 304 Grade Stainless Steel
- ✓ PVC Cover Included
- ✓ 2x Swivel, Braked Castors, 2x Fixed, Non-Braked Castors
- ✓ Robust And Reliable Design
- ✓ End Handle With Tray Retaining Mechanism
- ✓ Protective Bumpers
- ✓ **New** - Unique Trolley Handle Design



250KG
Load Capacity



Body Tray
Included



Laminated
PVC Cover



Durable
Wheels



Stainless
Steel



Easy
To Use

**NOW INCLUDES MINUS40'S
DURABLE 550MM MEDICAL
BODY TRAY**



MEDICAL DEVICES
QUALITY MANAGEMENT
ISO 13485:2016 CERTIFIED





250Kg Load Capacity
The Strong Stainless Steel Design Allows This Trolley To Lift Up To 250Kg's.

Medical 550mm Body Tray Included
Robust & Hygienic Body Tray Made From 304 Stainless Steel.

Compatible With Different Sized Body Trays
This Trolley Can Be Used With Standard 550mm Body Trays, Or Obese 650mm Body Trays.

Made From 304 Stainless Steel
More Hygienic And Easier To Clean.

2 x Swivel & Braked Wheels + 2 x Fixed & Non-Braked Wheels
Swivel, Braked Wheels At The Trolley Handle End + Fixed, Non-Braked Wheels At The Front End Allows The User To Easily Turn And Steer The Trolley .

Secure Body Tray Locking Mechanism
For Added Safety & Easy Movement.

Unique Trolley Handle
Durable & Robust Handle For Easy Movement.

Laminated PVC Cover
Used To Discretely Transport Bodies.



Hospitals
Mortuaries

OPTIONAL EXTRA BODY TRAYS

Minus40's MTC20 Trolley Comes Standard With A 550mm Medical Body Tray. However, A Variety Of Different Body Trays From Minus40 May Be Purchased Separately -

Additional Body Tray Options

Minus40 Manufactures Four Different Types Of Body Trays Which You Can Choose From:

1. Medical 550 Standard Body Tray Made From SS304
2. Medical 650 Obese Body Tray Made From SS304
3. Forensic 550 Standard Body Tray Made From SS304
4. Forensic 650 Obese Body Tray Made From SS304

All Body Trays Are Designed To Fit Minus40's Mortuary Cabinets/ Body Racking Systems, Hydraulic And Transport Trolleys.

Forensic Vs. Medical

The Main Difference Between The Forensic And Medical Body Tray is that Forensic Body Trays Are Designed To Collect The Fluid That Drains From The Body, Where Medical Body Trays Don't As They Have A Flat Base.

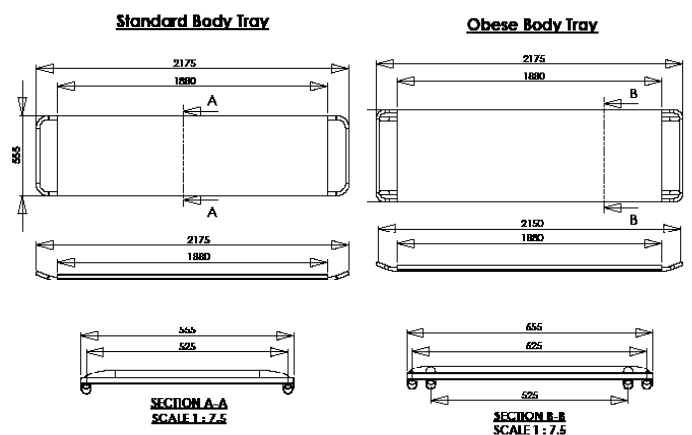
All Body Trays Are Constructed From 304 Grade Stainless Steel Which Includes The Following Benefits:

- It Is Highly Polished For Better Hygiene Conditions
- It Has A Higher Corrosion Resistance
- It Prevents Bacterial Growth

The Forensic Body Tray Option Is Advised For Long Term Storage And Is Mostly Used Within Universities And Laboratories.

Standard And Obese Tray Fitting

As Illustrated, The Standard And Obese Body Tray Options From Minus40 Will Fit All Minus40's Mortuary Cabinets / Body Racking Systems And Hydraulic Trolleys-



MEDICAL DEVICES
QUALITY MANAGEMENT
ISO 13485:2016 CERTIFIED

*Contact Us For Prices On These Additional Items.



MEDICAL 550MM BODY TRAY FEATURES:

MEDICAL 550MM BODY TRAY

The Minus40 Medical Body Tray has been designed for robust hygienic duty and conforms to IUSS standards (Infrastructure Unit Support Systems for SA Public Health infrastructure).

This medical body tray is made from 304 Stainless Steel with polished welds, 1,2 mm thick, with a 25 mm round tubing frame and two 25 mm diameter stainless steel handles.

The use of body trays reduces body handling and can be used for a Roll on / Roll off system with trolleys, autopsy equipment and embalming tables.

Medical 550MM Body Tray Dimensions

Width (mm)	555mm
Length (mm)	2230mm
Thickness (mm)	120mm
Gross weight (Kg)	18Kg

Medical 550MM Body Tray Features

- High quality material and construction ensures ease of cleaning.
- Made to the South African IUSS standard specification as defined in gazetted Hospital Mortuary Services of 2020.
- Conforms to SABS standard CKS336:2013 Mortuary Body Trays.
- 304 Stainless steel construction.
- Sturdy and reliable.



Model

Model Name	MTC20 Trolley Static Transport Trolley
Trolley Type	Static Body Trolley
Load Capacity (Kg)	250Kg

Dimensions

External Dimensions (H x W x D) mm	950 x 750 x 2280
Weight (Kg)	90Kg

Construction

External Material	Stainless Steel
Body Tray Provided	Medical 550mm Body Tray

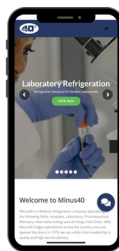
Wheels
2 Swivel, Braked Wheels (At The Trolley Handle End), +
2 Fixed, Non-Braked Wheels (At The Front End).

Working On A Mortuary Project? -

Minus40 Manufactures A Range of 3-Tier And 6-Tier Mortuary Cabinets (Fridges and Freezers). Contact Us For Prices And Options Available-



Scan To View Our Online Instructional Videos



Alternatively,
You May Contact Us On;
+27(0) 21 386 2290

All Of Our Products Are
Available For Online Viewing At;
www.minus40.co.za



"If it doesn't say MINUS40- Its not a MINUS40"



MEDICAL DEVICES
QUALITY MANAGEMENT
ISO 13485:2016 CERTIFIED

**The parameters and performance specified in this brochure may be changed without prior notice, due to product upgrading.*

***There may be differences between the product images shown in this brochure and the actual products received.*

